

# QNO-6070R

2Megapixel Full HD Network IR Bullet Camera

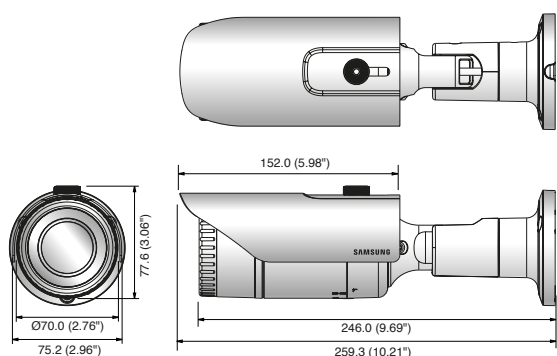


## Key Features

- Max. 2M (1920 x 1080) resolution
- 2.8 ~ 12mm (4.3x) varifocal lens
- Max. 30fps@2M all resolutions (H.265/H.264)
- H.265, H.264, MJPEG codec supported, Multiple streaming
- Motion detection, Tampering, Defocus detection
- micro SD (128GB) memory slot, PoE / 12V DC
- IR viewable length 30m, IP66, IK10
- Hallway view support
- LDC support (Lens Distortion Correction)

## Dimensions

Unit: mm (inch)



## Accessories (Optional)



SBO-100B1



SBP-302PM

| QNO-6070RN/P                      |   |
|-----------------------------------|---|
| <b>VIDEO</b>                      |   |
| Imaging Device                    | 1/2.9" 2.19M CMOS   |
| Total Pixels                      | 2,000(H) x 1,121(V)   |
| Effective Pixels                  | 1,984(H) x 1,105(V)   |
| Scanning System                   | Progressive   |
| Min. Illumination                 | Color: 0.095Lux (30IRE), B/W: 0Lux (IR LED on)  |
| <b>LENS</b>                       |   |
| Focal Length (Zoom Ratio)         | 2.8 ~ 12mm (4.3x) manual  |
| Max. Aperture Ratio               | F1.4  |
| Angular Field of View             | H: 103.8° ~ 32.4° / V 53.7° ~ 18.4° / D 121.9° ~ 37.1°  |
| Focus Control                     | Manual  |
| Lens Type                         | DC auto iris  |
| Mount Type                        | Board type  |
| <b>OPERATIONAL</b>                |   |
| IR Viewable Length                | 30m (98.43ft)   |
| Camera Title                      | Off / On (Displayed up to 20 characters per line)<br>- W/W: English / Numeric / Special characters<br>- China: English / Numeric / Special / Chinese characters<br>- Common: Multi-line (Max. 5), Color (Grey / Green / Red / Blue / Black / White), Transparency, Auto scale by resolution |
| Day & Night                       | True Day & Night  |
| Backlight Compensation            | Off / BLC / WDR   |
| Wide Dynamic Range                | 120dB   |
| Digital Noise Reduction           | SSNR (Off / On)   |
| Motion Detection                  | Off / On (4ea polygonal zones)  |
| Privacy Masking                   | Off / On (6ea rectangular zones)  |
| Gain Control                      | Off / Low / Middle / High   |
| White Balance                     | ATW / AWC / Manual / Indoor / Outdoor   |
| LDC (Lens Distortion Correction)  | Off / On (5 levels with min / max)  |
| Electronic Shutter Speed          | Minimum / Maximum / Anti flicker  |
| Flip / Mirror                     | Flip / Mirror / Hallway view  |
| Intelligent Video Analytics       | Motion detection with metadata, Tampering, Defocus detection  |
| Alarm I/O                         | Input 1 / Output 1  |
| Alarm Triggers                    | Motion detection, Tampering detection, SD card error, NAS error, Alarm input, Defocus detection   |
| Alarm Events                      | File upload via FTP and E-mail, Local storage recording at event, Notification via E-mail, External output  |
| Pixel Counter                     | Support (Plug-in viewer only)   |
| <b>NETWORK</b>                    |   |
| Ethernet                          | RJ-45 (10/100BASE-T)  |
| Video Compression Format          | H.265, H.264, MJPEG   |
| Resolution                        | 1920 x 1080, 1280 x 1024, 1280 x 960, 1280 x 720, 1024 x 768, 800 x 600, 720 x 576, 720 x 480, 640 x 480, 320 x 240   |
| Max. Framerate                    | H.265/H.264: Max. 30fps at 2M all resolutions, MJPEG: 15fps   |
| Smart Codec                       | WiseStream  |
| Video Quality Adjustment          | H.265/H.264: Target bitrate level control, MJPEG: Quality level control   |
| Bitrate Control Method            | H.265/H.264: CBR or VBR, MJPEG: VBR   |
| Streaming Capability              | Multiple streaming (Up to 3 profiles)   |
| Audio I/O                         | Line in   |
| Audio Compression Format          | G.711 u-law / G.726 selectable<br>G.726 (ADPCM) 8KHz, G.711 8KHz, G.726: 16Kbps, 24Kbps, 32Kbps, 40Kbps   |
| Audio Communication               | Uni-directional audio   |
| IP                                | IPv4, IPv6  |
| Protocol                          | TCP/IP, UDP/IP, RTP(UDP), RTP(TCP), RTCP, RTSP, NTP, HTTP, HTTPS, SSL/TLS, DHCP, PPPoE, FTP, SMTP, ICMP, IGMP, SNMPv1/v2c/v3(MIB-2), ARP, DNS, DDNS, QoS, PIM-SM, UPnP, Bonjour   |
| Security                          | HTTPS(SSL) login authentication, Digest login authentication<br>IP address filtering, User access log, 802.1x authentication  |
| Streaming Method                  | Unicast / Multicast   |
| Max. User Access                  | 6 users at unicast mode   |
| Storage                           | micro SD/SDHC/SDXC max. 128G, NAS<br>- Motion images recorded in the SD memory card can be downloaded<br>- Manual recording at local PC   |
| Application Programming Interface | ONVIF Profile S/G, SUNAPI (HTTP API)  |
| Webpage Language                  | English, Korean, Chinese, French, Italian, Spanish, German, Japanese, Russian, Swedish, Portuguese, Czech, Polish, Turkish, Dutch, Hungarian, Greek   |
| Web Viewer                        | Supported OS: Windows 7, 8.1, 10, Mac OS X 10.9, 10.10, 10.11<br>Plug-in free Webviewer<br>- Supported Browser: Google Chrome 47, MS Edge 20<br>Plug-in Webviewer<br>- Supported Browser: MS Explore 11, Mozilla Firefox 43, Apple Safari 9 * Mac OS X only                                 |
| Central Management Software       | SmartViewer   |
| <b>ENVIRONMENTAL</b>              |   |
| Operating Temperature / Humidity  | -30°C ~ +55°C (-22°F ~ +131°F) / Less than 90% RH<br>* Start up should be done at above -20°C (-4°F)  |
| Storage Temperature / Humidity    | -30°C ~ +60°C (-22°F ~ +140°F) / Less than 90% RH   |
| Ingress Protection                | IP66  |
| Vandal Resistance                 | IK10  |
| <b>ELECTRICAL</b>                 |   |
| Input Voltage / Current           | PoE (IEEE802.3af, Class3) / 12V DC  |
| Power Consumption                 | Max. 8W (PoE), Max. 7W (12V DC)   |
| <b>MECHANICAL</b>                 |   |
| Color / Material                  | Dark gray / Metal   |
| Dimensions (WxH)                  | Ø70.0 x 246.0mm (Ø2.76" x 9.69") (Without sunshield)  |
| Weight                            | 730g (1.61 lb)  |

\* The latest product information / specification can be found at [hanwha-security.eu](http://hanwha-security.eu)